



TC14. TC12 TC6

OFF-HIGHWAY MULTI-VIEW TOOL CARRIER



TOOLCARRIER

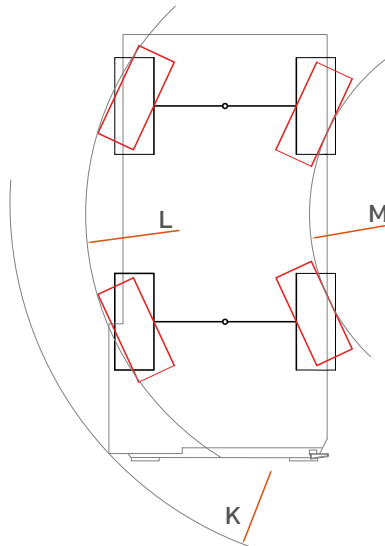
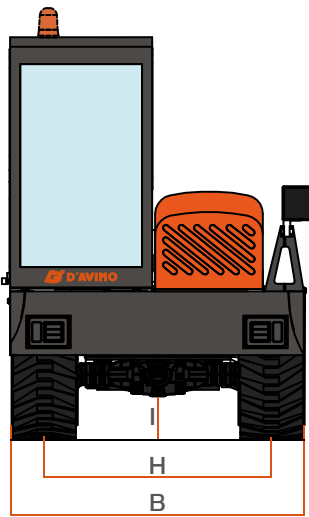
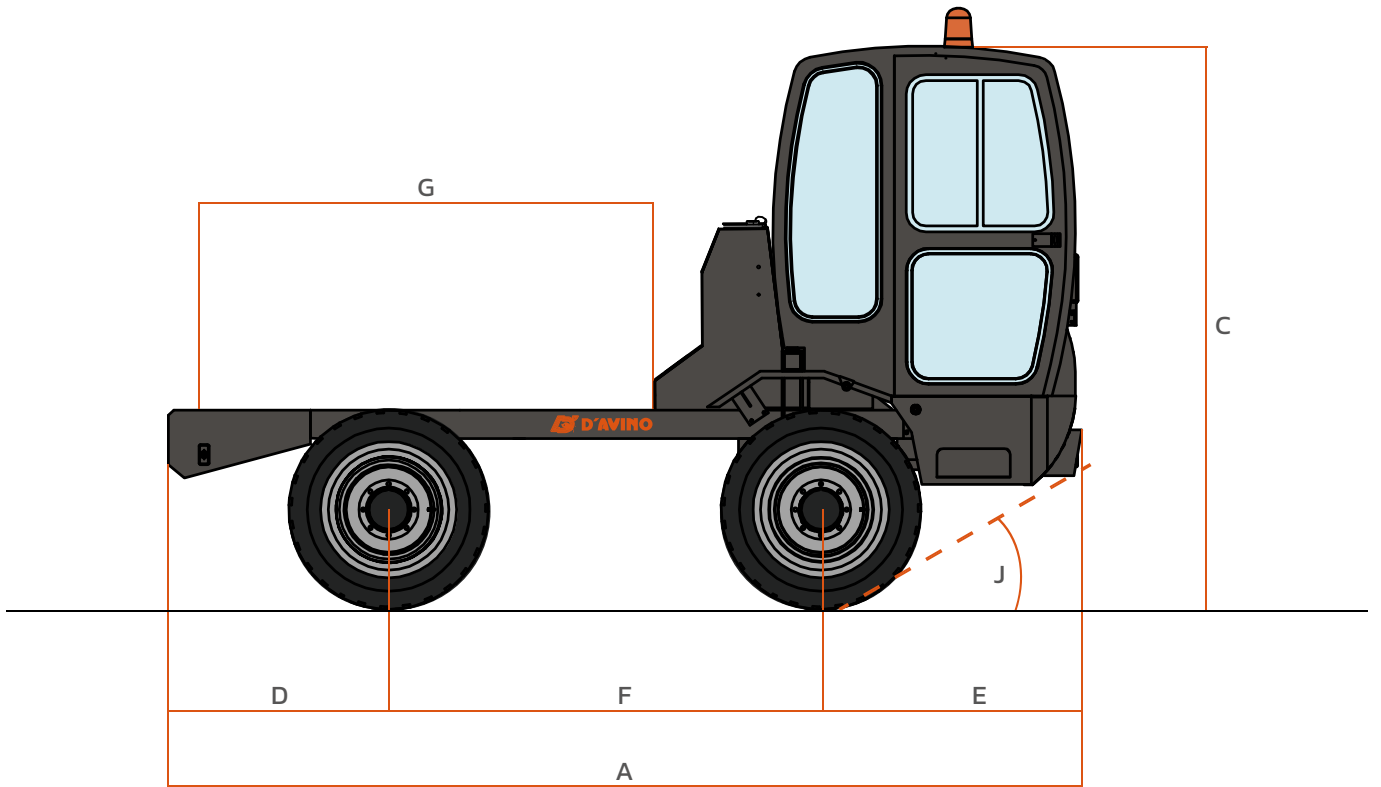


TC14. TC12 TC6

Technical data

GENERAL DATA		TC14	TC12	TC6
Max load capacity	kg	14.000	12.000	6.000
Drivers'seat		Rotating - Dual view	Rotating - Dual view	Rotating - Dual view
Frame		Fixed	Fixed	Fixed
Empty weight	kg	5.400	5.200	3.845
Transmission		Hydrostatic	Hydrostatic	Hydrostatic
Cabin		Rops-Fops	Rops-Fops	Rops-Fops
*ENGINE				
Brand		Perkins	Perkins	Yanmar
Model		904J-E36TA	904J-E36TA	4TNV98CT-NY12D
Power	kW	90	90	53,7
DRIVING				
Max speed	km/h	35	35	25 (40 opt.)
Gradeability	%	40	40	50
Turning radius	mm	5150	5150	4400
Traction		AWS	AWS	AWS
Tyres		500/60R22.5	18-19,5 16 PR	12.5/80-18 16 PR
Axle oscillation lock		Optional	Optional	Optional
HYDRAULIC SYSTEM				
Hydraulic system		Duble gear pump	Duble gear pump	Duble gear pump
Working pressure	bar	140	140	140
ELECTRICAL SYSTEM				
Starter motor	V/kW	12/4	12/4	12/3
Battery	V/Ah	12/50	12/50	12/50
TANK CAPACITY				
Fuel	l	175	175	125
Hydraulic	l	175	175	125
BRAKES				
Service		Hydraulic acting on both axles		
Parking		Hydraulic acting on the rear axles		
APPROVALS				
Road approval (Italian)		In progress	In progress	In progress

*Stage IIIA engine available



	TC14	TC12	TC6
A	5176	5176	4500
B	2410	2360	2000
C	2966	2920	2780
D	1200	1200	1085
E	1396	1396	1285
F	2580	2580	2130
G	2952	2952	2300
H	1960	1910	1665
I	420	360	300
J	27°	26°	31°
K	5150	5150	4000
L	4650	4650	3850
M	2475	2475	2050



AMOG srl | I-80031 Brusciano (NA) | Tel. +39 081 658 8361 | sales@davinogroup.biz

davinodumper.com